

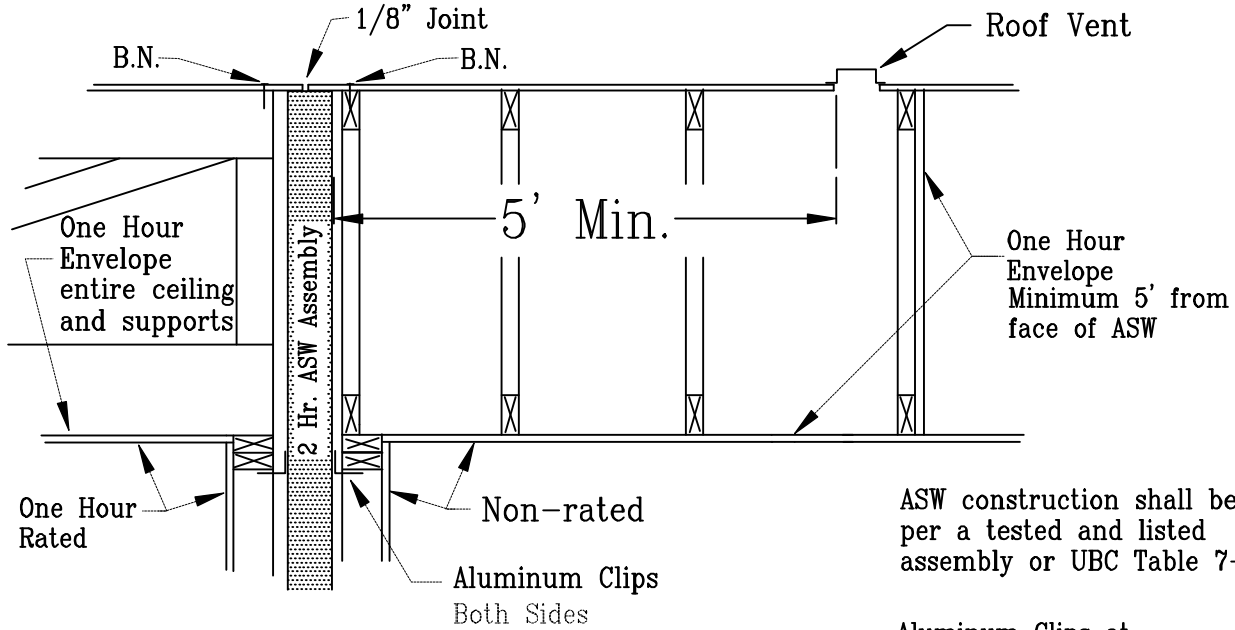
City of No. Las Vegas
 Building and Safety Dept.
 2266 Civic Center Dr.
 No. Las Vegas, Nevada 89030
 (702)633-1550

Area Separation Wall Details

Wood or Light Gauge Metal Construction

1 of 1

City of No. Las Vegas
 Building and Safety Dept.
 2266 Civic Center Dr.
 No. Las Vegas, Nevada 89030
 (702)633-1550



ASW construction shall be per a tested and listed assembly or UBC Table 7-B.

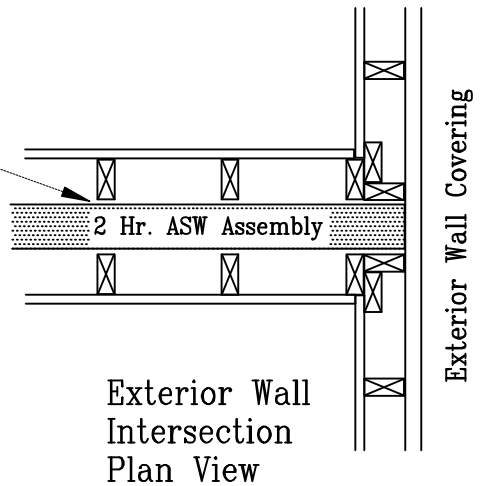
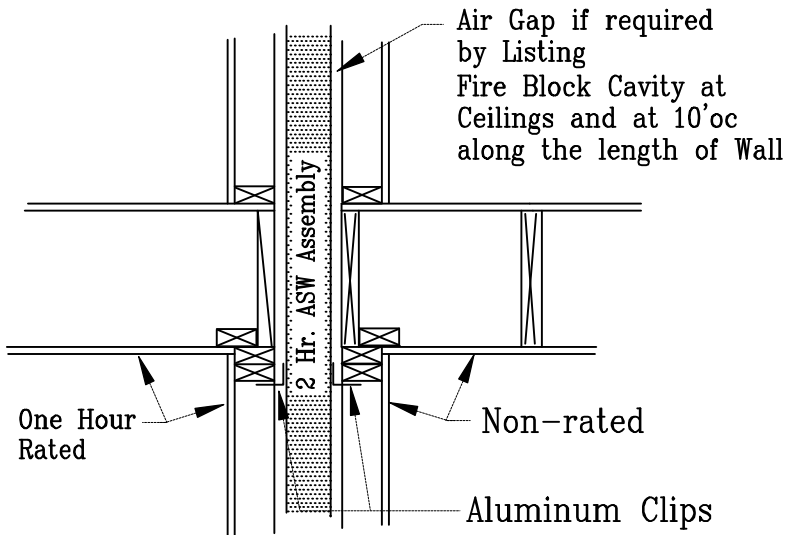
Aluminum Clips at ceiling levels. Gauge and spacing along the wall per engineer's calculations.

Detail shear transfer from roof sheathing to shear walls.

Perpendicular Framing

Parallel Framing

Roof/Ceiling Cross Section



Exterior Wall Intersection Plan View

Perpendicular Framing

Parallel Framing

Floor/Ceiling Cross Section