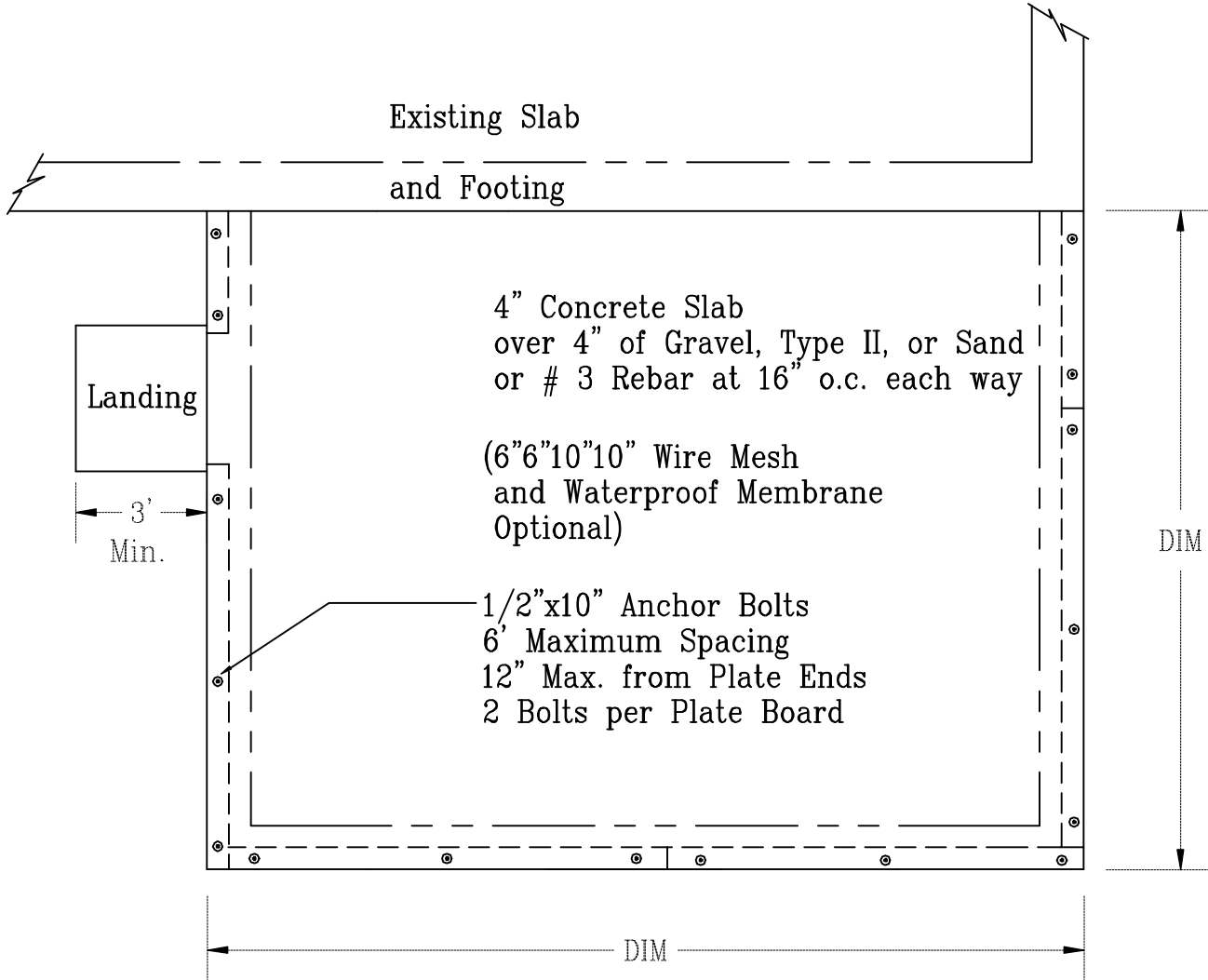


City of North Las Vegas
 Building and Safety Dept.
 2266 Civic Center Dr.
 No. Las Vegas, Nevada 89101
 (702)633-1550

Residential Room Addition
Typical Foundation Plan

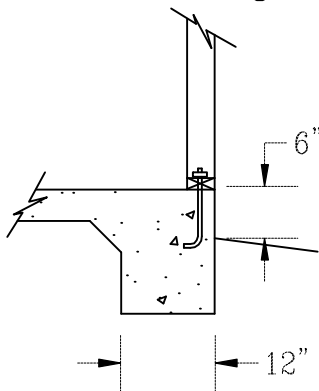
City of North Las Vegas
 Building and Safety Dept.
 2266 Civic Center Dr.
 No. Las Vegas, Nevada 89101
 (702)633-1550

B-109-3 3 of 6 9/28/94

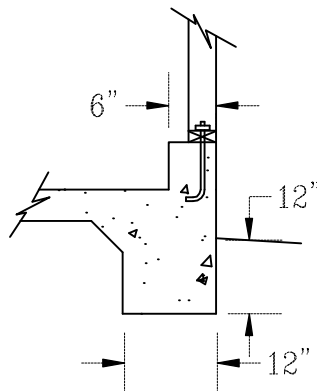


Typical Footing Cross Sections

Exterior Bearing Wall



Garage Raised Curb



Interior Bearing Wall

