

City of No. Las Vegas  
 Building and Safety Dept.  
 2266 Civic Center Dr.  
 No. Las Vegas, Nevada 89030  
 (702)633-1550

**Toilet Stalls**

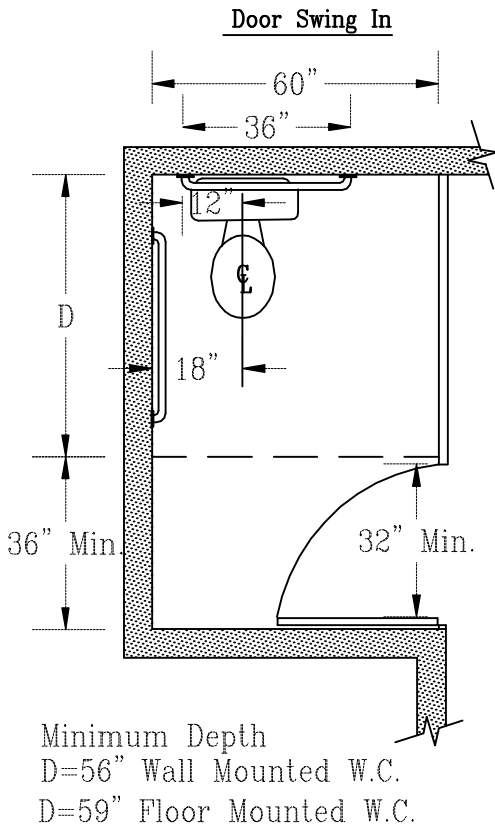
B-113

1 of 1

9/6/96

City of No. Las Vegas  
 Building and Safety Dept.  
 2266 Civic Center Dr.  
 No. Las Vegas, Nevada 89030  
 (702)633-1550

**Standard Stalls**

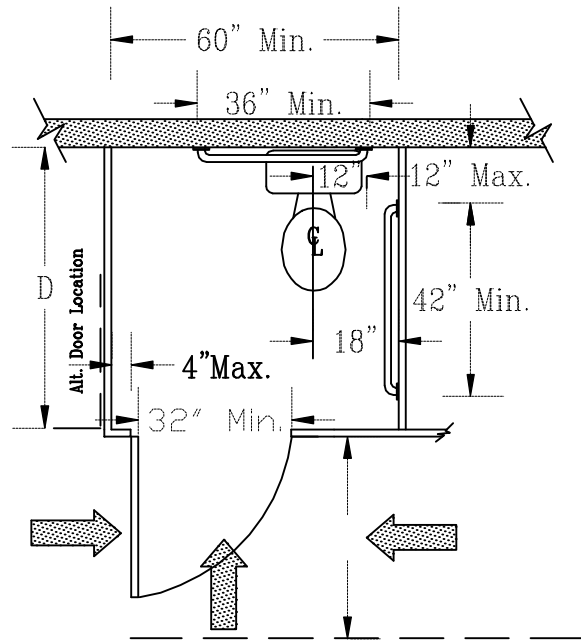


Alternate Stalls are not Allowed per ANSI 4.18

Approaches to Doors per ANSI 4.13

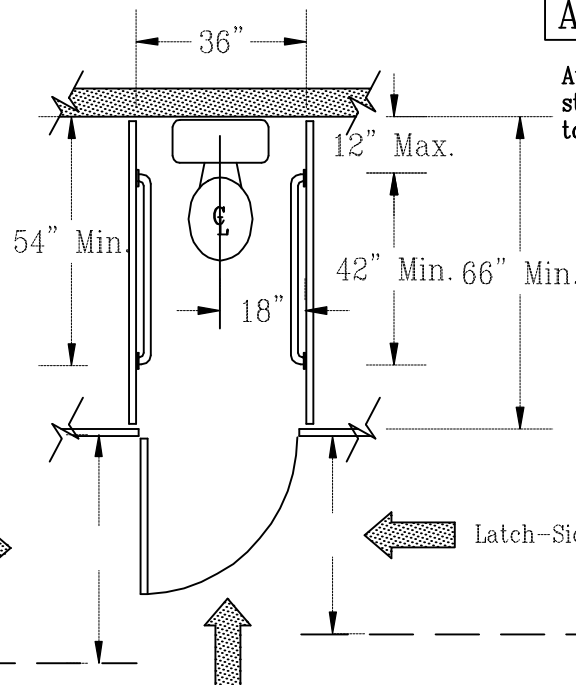
The front and at least one side partition shall provide a toe clearance of 9" min. unless the stall is more than 60" deep.

**Door Swing Out**



Latch-Side Approach 42" Min.  
 Other Approaches see ANSI 4.13

**Ambulatory Stall**



At least one if 6 or more stalls are provided in a toilet room.

Front or Side Approach 48" Min.

Latch-Side Approach 42" Min.